

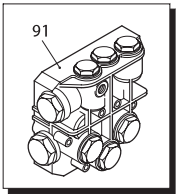
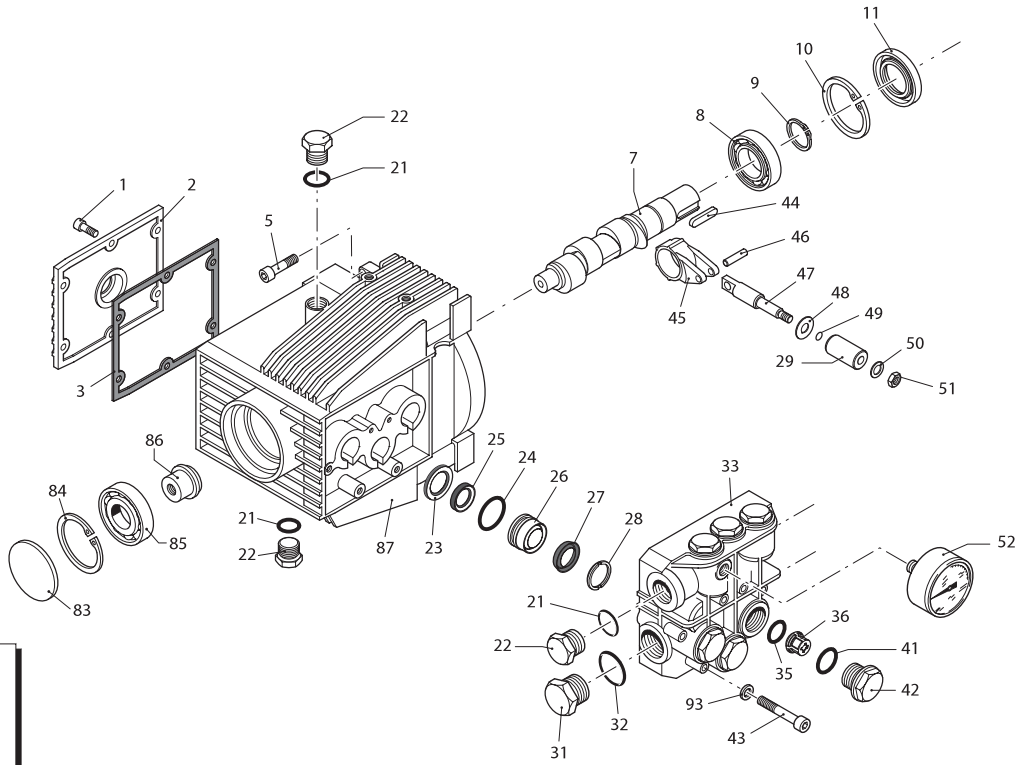
UN002529-JZ

| Pos. | Cod. Part n° | Denominazione             | Description             | Q.tà Q.ty | Note Vedi / See |
|------|--------------|---------------------------|-------------------------|-----------|-----------------|
| 1    | 2500045      | Cofano blu                | Blue casing             | 1         |                 |
| 2    | 2500340      | Tappo chiusura            | Closing plug            | 1         |                 |
| 3    | 2500310      | Pomello regolazione       | Knob                    | 1         |                 |
| 4    | 2500050      | Gancio                    | Hook                    | 1         |                 |
| 5    | 2500240      | Vaschetta                 | Cover                   | 1         | ●               |
|      | 2500250      | Vaschetta                 | Cover                   | 1         | □               |
| 6    | 1680880      | Rondella                  | Washer                  | 2         |                 |
| 7    | 2500320      | Ruota ø 175 + tappo       | Driven gear             | 2         |                 |
| 8    | 2500330      | Tubo detergente cristallo | Detergent hose          | 1         |                 |
| 9    | 2500100      | Piastra fissaggio         | Fixing plate            | 1         |                 |
| 10   | 1260470      | Vite TE M 8x10            | Screw                   | 4         |                 |
| 11   | 2100300      | Vite autof. 5x16          | Screw                   | 1         |                 |
| 12   | 2600100      | Pressacavo                | Gland                   | 1         |                 |
| 13   | 2100300      | Vite autof. 5x16          | Screw                   | 7         |                 |
| 14   | 2500020      | Manico                    | Handle                  | 1         |                 |
| 15   | 2500130      | Gommino                   | Rubber feet             | 2         |                 |
| 16   | 880280       | Vite TCEI M 6x18          | Screw                   | 4         |                 |
| 17   | 2180300      | Rondella ø 6,2            | Washer                  | 4         |                 |
| 18   | 2500120      | Assale ruote              | Wheels axle             | 1         |                 |
| 19   | 2509001      | Prem. serbatoio deterg.   | Detergent tank assembly | 1         |                 |
| 20   | 2500010      | Corpo principale          | Body                    | 1         |                 |
| 21   | 42113        | Tappo serbatoio completo  | Compl. detergent plug   | 1         |                 |

## SIMBOLOGIA - SYMBOLS

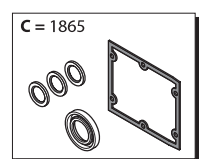
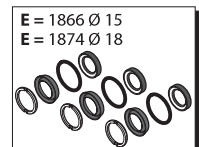
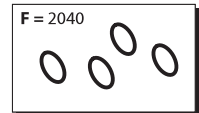
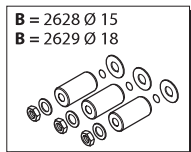
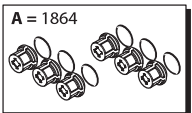
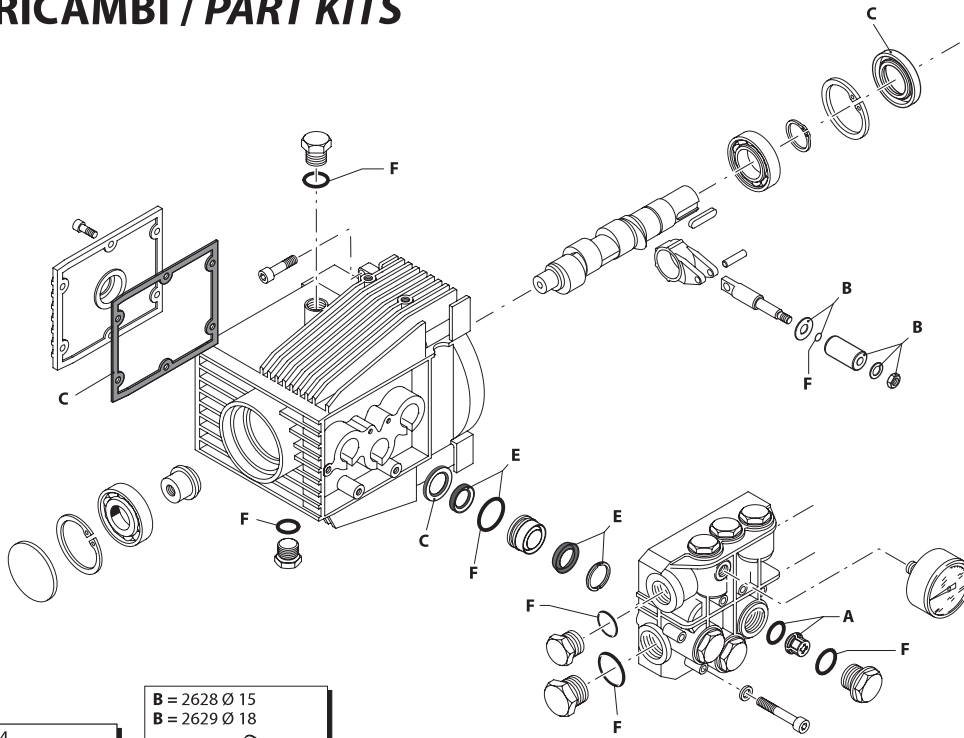
● 767

□ 777



UN002530-CZ

## KIT RICAMBI / PART KITS



UN002531-CZ

| Pos. | Cod. Part n° | Denominazione          | Description         | Q.tà Q.ty | Note Vedi / See |
|------|--------------|------------------------|---------------------|-----------|-----------------|
| 1    | 1260760      | Vite TCEI M 5x20       | Screw               | 6         | Autoformante    |
| 2    | 1269101      | Coperchio posteriore   | Rear cover          | 1         |                 |
| 3    | 1260040      | Guarnizione            | Gasket              | 1         |                 |
| 5    | 1260780      | Vite TCEI M 5x25       | Screw               | 4         |                 |
| 7    | 1260180      | Albero eccentrico      | Crankshaft          | 1         |                 |
| 8    | 180400       | Cuscinetto             | Bearing             | 1         |                 |
| 9    | 1260770      | Seeger ø 25            | Circlip             | 1         |                 |
| 10   | 1260790      | Seeger ø 52            | Circlip             | 1         |                 |
| 11   | 1260750      | Anello tenuta          | Seal ring           | 1         |                 |
| 21   | 740290       | OR ø 14x1,78           | O-Ring              | 3         |                 |
| 22   | 1980740      | Tappo 3/8" G           | Plug                | 1         | Ottone/Brass    |
| 23   | 1260460      | Anello tenuta          | Seal ring           | 3         |                 |
| 24   | 1260420      | OR ø 26,70x1,78        | O-Ring              | 3         |                 |
| 25   | 1260440      | Guarnizione C1         | C1 gasket           | 3         | □               |
| 26   | 1260450      | Guarnizione C1         | C1 gasket           | 3         | ●               |
| 27   | 1260151      | Guida pistone ø 15     | Piston guide        | 3         | □               |
| 28   | 1320351      | Guida pistone ø 18     | Piston guide        | 3         | ●               |
| 29   | 1271650      | Guarnizione ø 15       | Gasket              | 3         | □               |
| 30   | 1780720      | Guarnizione ø 18       | Gasket              | 3         | ●               |
| 31   | 1520120      | Anello appoggio guarn. | Gasket support ring | 3         | □               |
| 32   | 1320340      | Anello appoggio guarn. | Gasket support ring | 3         | ●               |
| 33   | 1260121      | Pistone ø 15           | Piston              | 3         | □               |
| 34   | 1260211      | Pistone ø 18           | Piston              | 3         | ●               |
| 35   | 820361       | Tappo 1/2" G           | Plug                | 1         | Ottone/Brass    |
| 36   | 180101       | OR ø 17,5x2            | O-Ring              | 1         |                 |
| 37   | 1320022      | Testa pompa            | Pump head           | 1         | □               |
| 38   | 1320020      | Testa pompa            | Pump head           | 1         | ●               |
| 39   | 880830       | OR ø 15,54x2,62        | O-Ring              | 6         |                 |
| 40   | 1269050      | Valvola completa       | Complete valve      | 6         |                 |
| 41   | 960160       | OR ø 17,86x2,62        | O-Ring              | 6         |                 |
| 42   | 1260162      | Tappo valvola          | Valve plug          | 6         |                 |
| 43   | 680570       | Vite TCEI M 6x60       | Screw               | 6         |                 |
| 44   | 1380520      | Linguetta              | Key                 | 1         |                 |
| 45   | 1320140      | Biella bronzo          | Bronze con rod      | 3         |                 |
| 46   | 1260080      | Spinotto               | Piston pin          | 3         |                 |
| 47   | 1260070      | Pistone di guida       | Guiding piston      | 3         |                 |
| 48   | 1260091      | Disco separatore       | Spacer disc         | 3         |                 |
| 49   | 480480       | OR ø 4,48x1,78         | O-Ring              | 3         |                 |
| 50   | 1260100      | Rondella pistone       | Piston washer       | 3         |                 |
| 51   | 1260110      | Dado M 8 inox          | Stainless steel nut | 3         |                 |
| 52   | 3226         | Manometro ø 40 mm      | Pressure gauge      | 1         | ●               |
| 53   | 3232         | Manometro ø 40 mm      | Pressure gauge      | 1         | □               |
| 83   | 1266740      | Cappello               | Cap                 | 1         |                 |
| 84   | 1260790      | Seeger ø 52            | Circlip             | 1         |                 |

| Pos. | Cod. Part n° | Denominazione     | Description        | Q.tà Q.ty | Note Vedi / See |
|------|--------------|-------------------|--------------------|-----------|-----------------|
| 85   | 1320370      | Cuscinetto        | Bearing            | 1         |                 |
| 86   | 1320330      | Boccola           | Bushing            | 1         |                 |
| 87   | 1260012      | Corpo pompa       | Pump housing       | 1         |                 |
| 91   | 1269253      | Prem. testa pompa | Pump head assembly | 1         | □               |
| 92   | 1269284      | Prem. testa pompa | Pump head assembly | 1         | ●               |
| 93   | 1381550      | Rondella ø 6,4    | Washer             | 6         |                 |

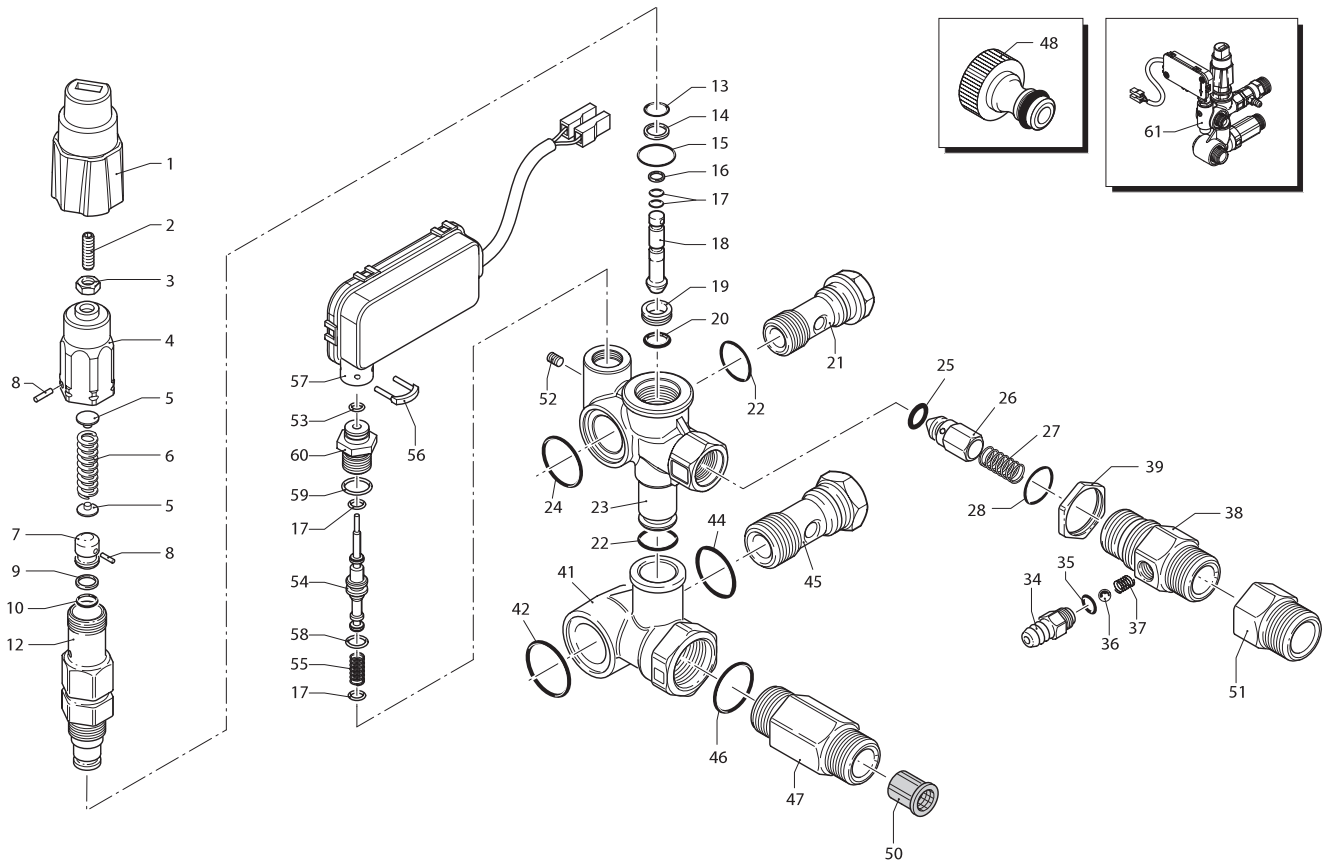
### KIT RICAMBI - PART KITS

| A=KIT 1864<br>valvole<br>valves |      | B=KIT 2628 □<br>pistoni<br>pistons |      | B=KIT 2629 ●<br>pistoni<br>pistons |      | C=KIT 1865<br>tenute olio<br>oil seals |      |
|---------------------------------|------|------------------------------------|------|------------------------------------|------|--|------|
| Pos.                            | Q.ty | Pos.                               | Q.ty | Pos.                               | Q.ty | Pos.                                   | Q.ty |
| 35                              | 6    | 29                                 | 3    | 29                                 | 3    | 3                                      | 1    |
| 36                              | 6    | 48                                 | 3    | 48                                 | 3    | 11                                     | 1    |
|                                 |      | 49                                 | 3    | 49                                 | 3    | 23                                     | 3    |
|                                 |      | 50                                 | 3    | 50                                 | 3    |  |      |
|                                 |      | 51                                 | 3    | 51                                 | 3    |  |      |

| D=KIT 1866 □<br>tenute acqua<br>water seals |      | D=KIT 1874 ●<br>tenute acqua<br>water seals |      | E=KIT 2040<br>OR<br>O-Rings |      |      |      |
|---|------|---|------|-----------------------------|------|------|------|
| Pos.  | Q.ty | Pos.  | Q.ty | Pos.                        | Q.ty | Pos. | Q.ty |
| 24  | 3    | 24  | 3    | 21                          | 3    |      |      |
| 25  | 3    | 25  | 3    | 24                          | 3    |      |      |
| 27  | 3    | 27  | 3    | 32                          | 1    |      |      |
| 28  | 3    | 28  | 3    | 35                          | 6    |      |      |
|   |      |   |      | 41                          | 6    |      |      |
|   |      |   |      | 49                          | 3    |      |      |

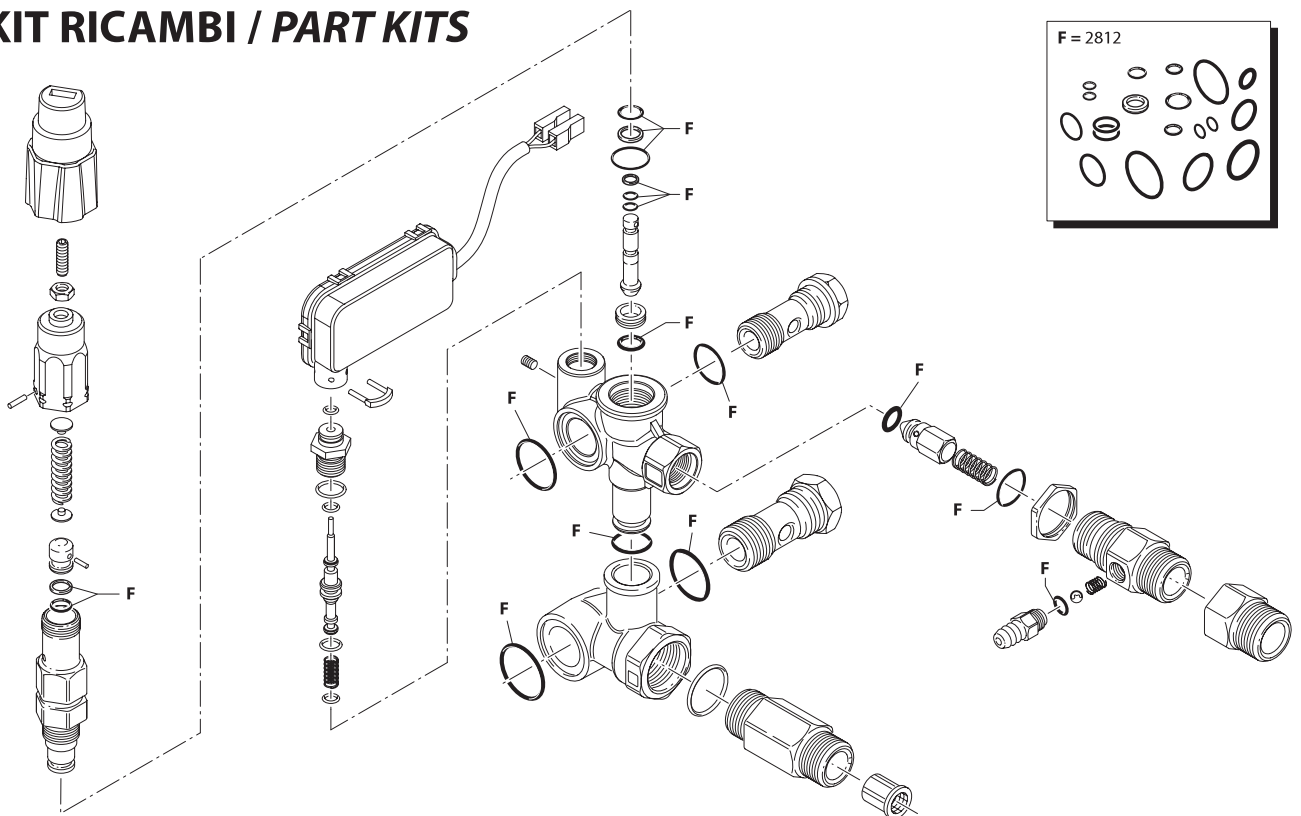
### SIMBOLOGIA - SYMBOLS

- 767
- 777



UN002532-CZ

## KIT RICAMBI / PART KITS



UN002533-CZ

# MINIMATIC 4/B



| Pos. | Cod. Part n° | Denominazione            | Description               | Q.tà Q.ty | Note Vedi / See |
|------|--------------|--------------------------|---------------------------|-----------|-----------------|
| 1    | 2500210      | Prolunga manopola        | Knob extension            | 1         |                 |
| 2    | 392840       | Grano M 6x16             | Grub screw                | 1         |                 |
| 3    | 1980300      | Dado M 6                 | Nut                       | 1         |                 |
| 4    | 2500540      | Inserto manopola         | Knob insert               | 1         |                 |
| 5    | 1980220      | Piattello molla          | Spring plate              | 2         |                 |
| 6    | 1271070      | Molla                    | Spring                    | 1         |                 |
| 7    | 1080041      | Pistone superiore        | Upper piston              | 1         |                 |
| 8    | 1080070      | Spina                    | Pin                       | 2         |                 |
| 9    | 1080401      | Anello antiestrusione    | Back-up ring              | 1         |                 |
| 10   | 1080250      | OR ø 7,66x1,78           | O-Ring                    | 1         |                 |
| 12   | 1980210      | Guida pistone            | Piston guide              | 1         |                 |
| 13   | 740290       | OR ø 14x1,78             | O-Ring                    | 1         |                 |
| 14   | 800560       | OR ø 8,73x1,78           | O-Ring                    | 1         |                 |
| 15   | 880830       | OR ø 15,54x2,62          | O-Ring                    | 1         |                 |
| 16   | 1271170      | Anello antiestrusione    | Back-up ring              | 1         |                 |
| 17   | 1080190      | OR ø 2,90x1,78           | O-Ring                    | 4         |                 |
| 18   | 1271160      | Pistone inferiore        | Lower piston              | 1         |                 |
| 19   | 1980200      | Sede valvola             | Valve seat                | 1         |                 |
| 20   | 1470210      | OR ø 9x1                 | O-Ring                    | 1         |                 |
| 21   | 1540270      | Vite 3/8" G              | Screw                     | 1         | Ottone/Brass    |
| 22   | 390080       | OR ø 11,91x2,62          | O-Ring                    | 2         |                 |
| 23   | 1540660      | Corpo valvola            | Valve housing             | 1         |                 |
| 24   | 1140450      | OR ø 20,24x2,62          | O-Ring                    | 1         |                 |
| 25   | 1460430      | OR ø 4x2,5               | O-Ring                    | 1         |                 |
| 26   | 1540170      | Otturatore               | Jet                       | 1         |                 |
| 27   | 1080091      | Molla sfera              | Ball spring               | 1         |                 |
| 28   | 394280       | OR ø 12,42x1,78          | O-Ring                    | 1         |                 |
| 34   | 1560490      | Portagomma               | Hose tail                 | 1         |                 |
| 35   | 480480       | OR ø 4,48x1,78           | O-Ring                    | 1         |                 |
| 36   | 1250280      | Sfera inox               | Stainelss steel ball      | 1         |                 |
| 37   | 1560520      | Molla                    | Spring                    | 1         |                 |
| 38   | 1540570      | Raccordo 3/8" G ø 2,3    | Fitting 3/8" G ø 2,3      | 1         |                 |
| 39   | 1540300      | Controdado               | Nut                       | 1         |                 |
| 41   | 1540280      | Corpo by-pass 3/8" G     | By-pass housing           | 1         |                 |
| 42   | 1540630      | OR ø 23,47x2,62          | O-Ring                    | 1         |                 |
| 44   | 880270       | OR ø 17,17x1,78          | O-Ring                    | 1         |                 |
| 45   | 2260420      | Vite 1/2" G              | Screw                     | 1         |                 |
| 46   | 480440       | OR ø 17,13x2,62          | O-Ring                    | 1         |                 |
| 47   | 1560600      | Raccordo aspirazione     | Suction fitting           | 1         |                 |
| 48   | 1461470      | Innesto raccordo+guarn.  | Attachment for tap+gasket | 1         | 3/4" G(F)       |
| 50   | 1340260      | Filtro aspirazione acqua | Water suction filter      | 1         |                 |
| 51   | 1343160      | Raccordo 1/8" G          | Fitting 1/8" G            | 1         |                 |
| 52   | 1981190      | Grano M 3x5              | Grub screw                | 1         | ●               |
| 53   | 1260820      | OR ø 1,78x1,78           | O-Ring                    | 1         | ●               |

| Pos. | Cod. Part n° | Denominazione    | Description    | Q.tà Q.ty | Note Vedi / See |
|------|--------------|------------------|----------------|-----------|-----------------|
| 54   | 1540881      | Pistone TSS      | TSS piston     | 1         | ●               |
| 55   | 1981320      | Molla            | Spring         | 1         | ●               |
| 56   | 2022200      | Forcella         | Clip           | 1         | ●               |
| 57   | 2029753      | Prem. TSS        | TSS assembly   | 1         | ●               |
| 58   | 660190       | OR ø 6,07x1,78   | O-Ring         | 1         |                 |
| 59   | 880840       | OR ø 9,25x1,78   | O-Ring         | 1         |                 |
| 60   | 1540870      | Raccordo TSS     | TSS fitting    | 1         |                 |
| 61   | 22076        | Valvola completa | Complete valve | 1         |                 |

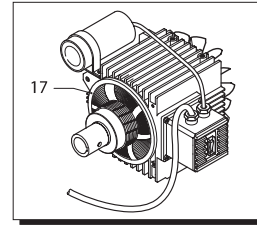
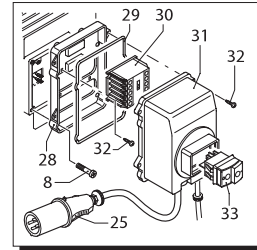
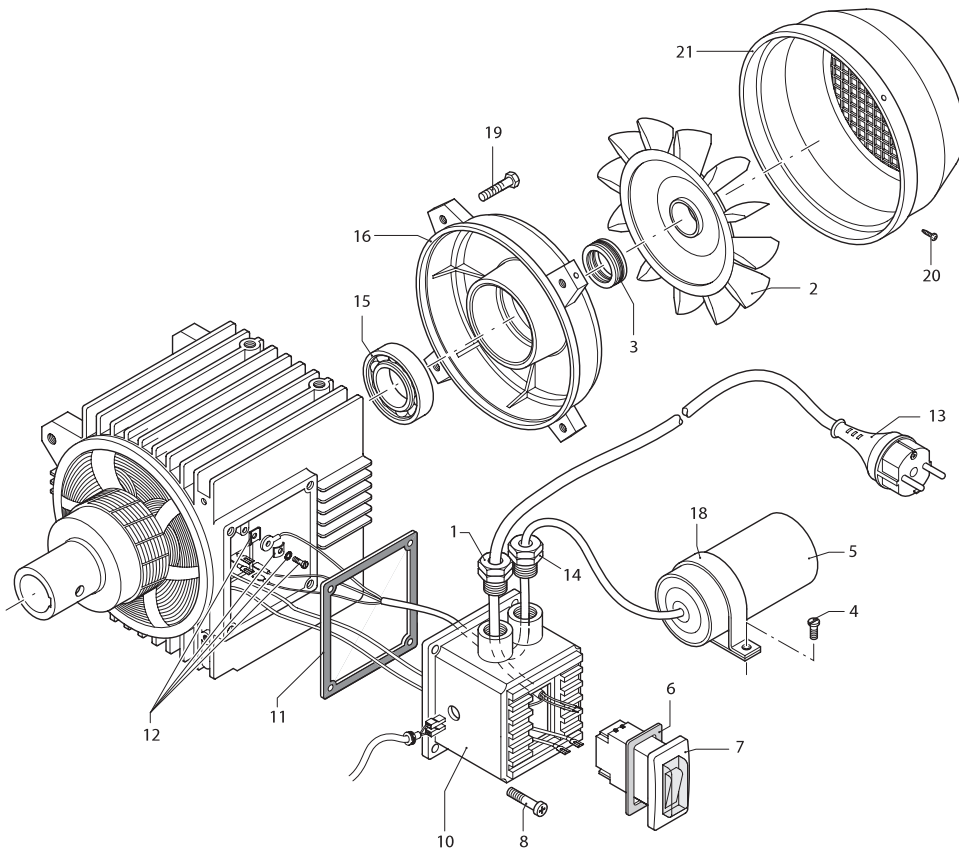
## KIT RICAMBI - PART KITS

| E=KIT 2812<br>OR<br>O-Rings |      |      |      |      |      |      |      |
|-----------------------------|------|------|------|------|------|------|------|
| Pos.                        | Q.ty | Pos. | Q.ty | Pos. | Q.ty | Pos. | Q.ty |
| 9                           | 1    | 17   | 2    | 35   | 1    |      |      |
| 10                          | 1    | 20   | 1    | 42   | 1    |      |      |
| 13                          | 1    | 22   | 2    | 44   | 1    |      |      |
| 14                          | 1    | 24   | 1    |      |      |      |      |
| 15                          | 1    | 25   | 1    |      |      |      |      |
| 16                          | 1    | 28   | 1    |      |      |      |      |

| Pos. | Q.ty | Pos. | Q.ty | Pos. | Q.ty | Pos. | Q.ty |
|------|------|------|------|------|------|------|------|
|      |      |      |      |      |      |      |      |
|      |      |      |      |      |      |      |      |

## SIMBOLOGIA - SYMBOLS

● TSS



UN002534-CZ

| Pos. | Cod. Part n° | Denominazione             | Description      | Q.tà<br>Q.ty | Note<br>Vedi / See |
|------|--------------|---------------------------|------------------|--------------|--------------------|
| 1    | 1271950      | Fermacavo                 | Cable retainer   | 1            | ●                  |
| 2    | 1260300      | Ventola                   | Fan              | 1            | ●                  |
| 3    | 1260970      | Anello tenuta             | Seal ring        | 1            | ●                  |
| 4    | 1260810      | Vite TCTC M 4x10          | Screw            | 1            | ●                  |
| 5    | 2360400      | Condensatore 40µF         | Capacitor 40µF   | 1            | ●                  |
| 6    | 1265080      | Guarnizione               | Gasket           | 1            | ●                  |
| 7    | 1272370      | Interruttore              | Switch           | 1            | ●                  |
| 8    | 1261560      | Vite autof. 3,9x16        | Screw            | 4            | ●                  |
| 10   | 1272010      | Scatola interruttore      | Switch box       | 1            | ●                  |
| 11   | 1260400      | Guarnizione               | Gasket           | 1            | ●                  |
| 12   | 1269100      | Mors. di terra completo   | Earth clamp      | 1            | ●                  |
| 13   | 1270950      | Cavo                      | Cable            | 1            | ● ①                |
| 14   | 1269090      | Fermacavo                 | Cable retainer   | 1            | ●                  |
| 15   | 1260950      | Cuscinetto                | Bearing          | 1            | ●                  |
| 16   | 1260961      | Scudo motore              | Motor shield     | 1            | ●                  |
| 17   | 4553         | Motore elettrico          | Electric motor   | 1            | ●                  |
|      | 44001        | Motore elettrico          | Electric motor   | 1            | □                  |
| 18   | 1340280      | Fascetta                  | Clamp            | 1            | ●                  |
| 19   | 480621       | Vite TE M 5x25            | Screw            | 4            | ●                  |
| 20   | 1261570      | Vite autof. 3,9x9,5       | Screw            | 4            | ●                  |
| 21   | 1271660      | Copriventola              | Fan housing      | 1            | ●                  |
| 25   | 1270980      | Cavo                      | Cable            | 1            | □ ②                |
| 28   | 1981590      | Base scatola interruttore | Switch box base  | 1            | □                  |
| 29   | 2180670      | OR Ø 4,25x3               | O-Ring           | 1            | □                  |
| 30   | 1700740      | Minicontattore            | Miniswitch       | 1            | □                  |
| 31   | 1981600      | Coperchio scatola interr. | Switch box cover | 1            | □                  |
| 32   | 2000210      | Vite autof. 3,5x10        | Screw            | 4            | □                  |
| 33   | 2320280      | Interruttore              | Switch           | 1            | □                  |

| Pos. | Cod. Part n° | Denominazione | Description | Q.tà<br>Q.ty | Note<br>Vedi / See |
|------|--------------|---------------|-------------|--------------|--------------------|
|      |              |               |             |              |                    |
|      |              |               |             |              |                    |
|      |              |               |             |              |                    |
|      |              |               |             |              |                    |

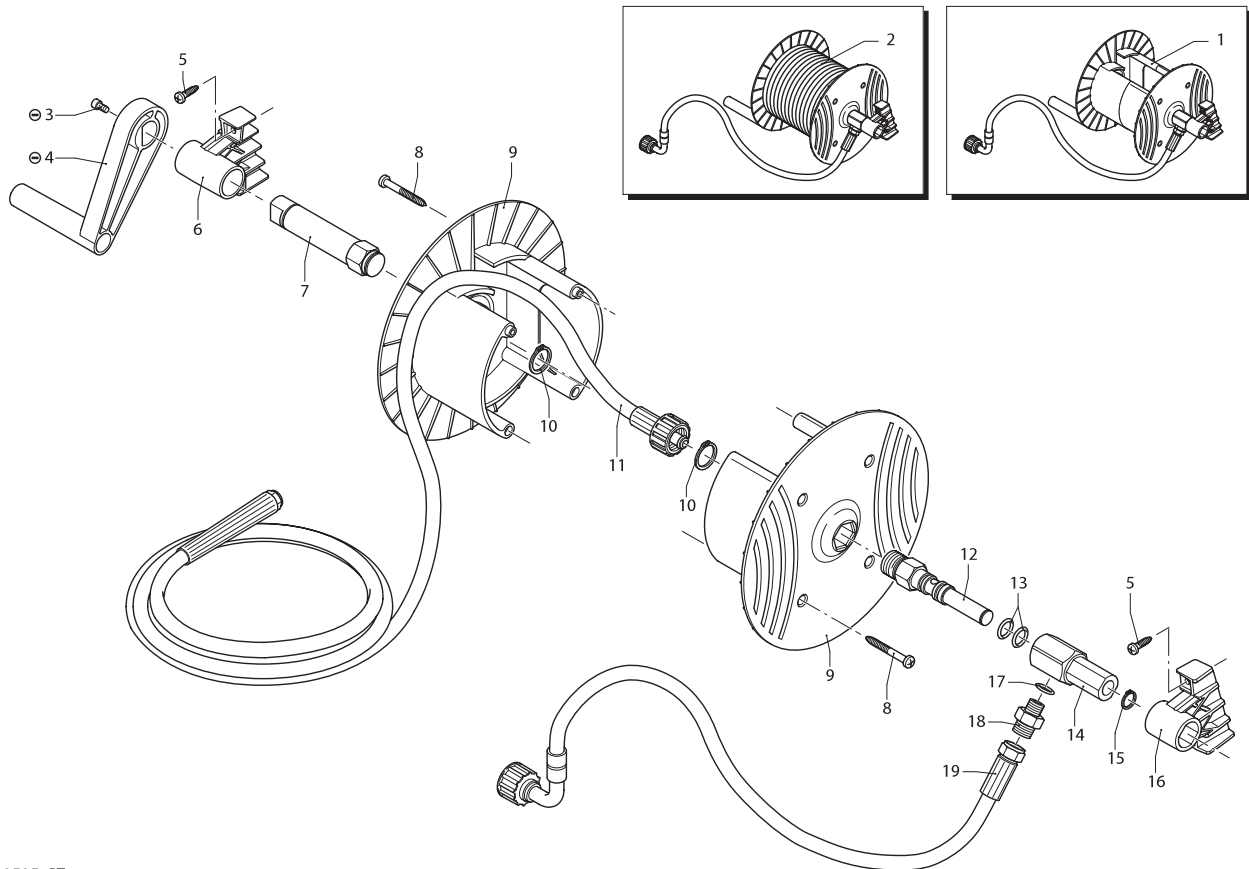
### SIMBOLOGIA - SYMBOLS

● 767

□ 777

① 230 V/50Hz - Schuko

② 400 V/50Hz - ~3



UN002535-CZ

| Pos. | Cod. Part n° | Denominazione          | Description        | Q.tà Q.ty | Note Vedi / See |
|------|--------------|------------------------|--------------------|-----------|-----------------|
| 1    | 40645        | Prem. avvolgitubo      | Hose reel assembly | 1         |                 |
| 2    | 40340        | Prem. avvolgitubo      | Hose reel assembly | 1         |                 |
| 3    | 2360360      | Vite TCEI M5x10        | Screw              | 1         |                 |
| 4    | 2360150      | Leva avvolgitubo       | Hose reel lever    | 1         |                 |
| 5    | 2100300      | Vite autof. 5x16       | Screw              | 4         |                 |
| 6    | 2500060      | Staffa dx              | Dx bracket         | 1         |                 |
| 7    | 2500360      | Perno sx               | Sx pin             | 1         |                 |
| 8    | 1681280      | Vite autof. 4,2x50     | Screw              | 4         |                 |
| 9    | 2360230      | Avvolgitubo            | Hose reel          | 2         |                 |
| 10   | 380420       | Seeger ø 22            | Circlip            | 2         |                 |
| 11   | 2500390      | Tubo di mandata        | High pressure hose | 1         | 15 m            |
| 12   | 2360210      | Perno dx               | Dx pin             | 1         |                 |
| 13   | 390080       | OR ø 11,91x2,62        | O-Ring             | 2         |                 |
| 14   | 2360220      | Raccordo               | Fitting            | 1         |                 |
| 15   | 2360320      | Seeger ø 14            | Circlip            | 1         |                 |
| 16   | 2500070      | Staffa sx              | Sx bracket         | 1         |                 |
| 17   | 820510       | OR ø 10,82x1,78        | O-Ring             | 1         |                 |
| 18   | 2360310      | Nipples 1/4"-3/4"G (M) | Threaded adapter   | 1         |                 |
| 19   | 2360250      | Tubo                   | Hose               | 1         |                 |

| Pos. | Cod. Part n° | Denominazione | Description | Q.tà Q.ty | Note Vedi / See |
|------|--------------|---------------|-------------|-----------|-----------------|
|      |              |               |             |           |                 |

### SIMBOLOGIA - SYMBOLS

⊖ Non compreso nel premontaggio avvolgitubo  
No part of hose reel pre-assembly